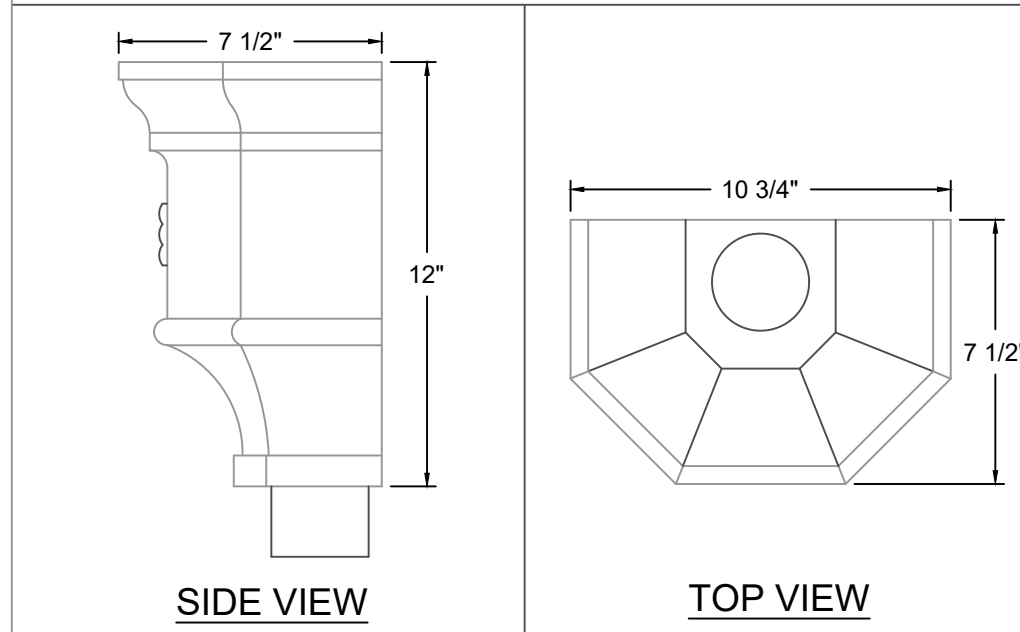
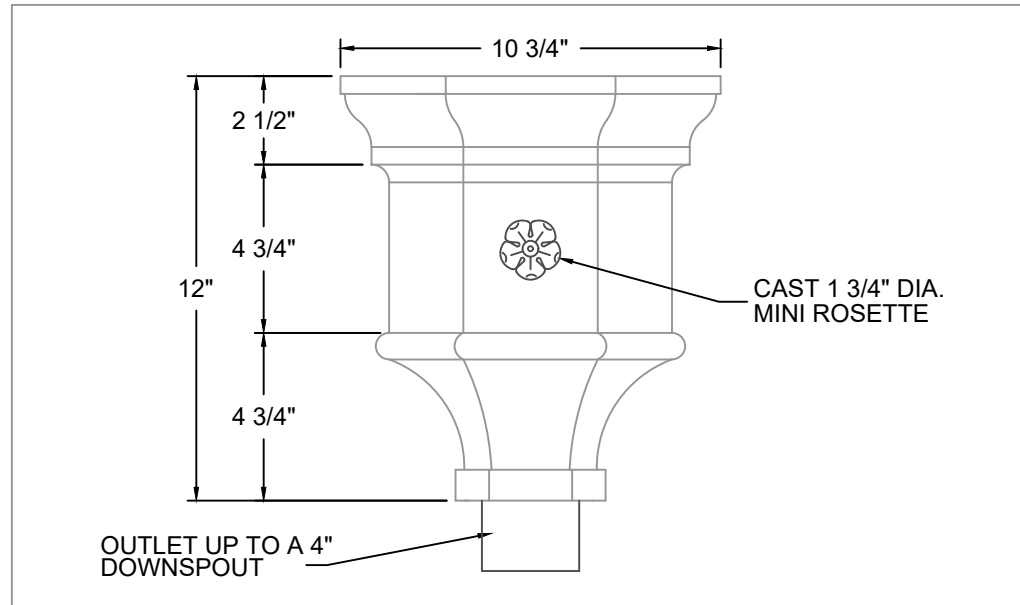


CONDUCTOR HEADS THE MINI-ROYAL



AVAILABLE MATERIALS GALVANIZED
 COPPER FREEDOM GRAY COPPER PREWEATHERED ZINC PAINT GRIP STEEL

REV. '24